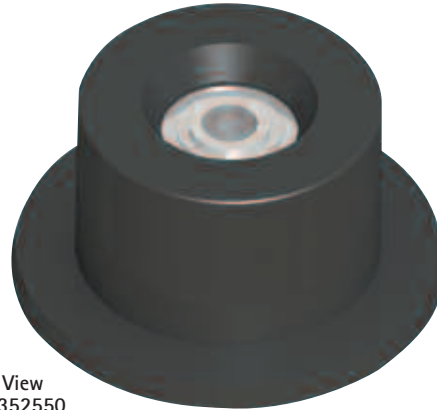
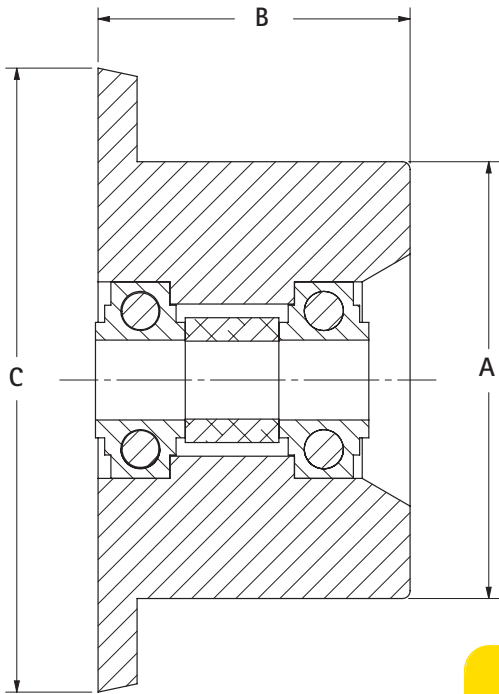


# RM SERIES ROLLERS

Our economical RM series rollers are designed specifically for your light- to medium-duty applications. These rollers are constructed of solid Kryptane polyurethane and have two 203KRR2 bearings. The RM series offers excellent mud shedding and abrasion-resistant properties that are unmatched in the industry.



Section View  
AG-RM352550

## SOLID POLYURETHANE WITH URETHANE FLANGES

	A	B	C		
1/2" SHAFT	PART NUMBER	DIAMETER	WIDTH	FLANGE DIA.	AXLE DIA. REPAIR KIT
	AG-RM241500-50	2-3/8"	1-1/2"	N/A	1/2" RK-RM1500-50
	AG-RM351550-50	3-1/2"	1-1/2"	5"	1/2" RK-RM1500-50
	AG-RM352500-50	3-1/2"	2-1/2"	N/A	1/2" RK-RM2500-50
	AG-RM352550-50	3-1/2"	2-1/2"	5"	1/2" RK-RM2500-50
	AG-RM352560-50	3-1/2"	2-1/2"	6"	1/2" RK-RM2500-50
	AG-RM402500-50	4"	2-1/2"	N/A	1/2" RK-RM2500-50
	AG-RM402550-50	4"	2-1/2"	5"	1/2" RK-RM2500-50
	AG-RM402560-50	4"	2-1/2"	6"	1/2" RK-RM2500-50

5/8" SHAFT	PART NUMBER	DIAMETER	WIDTH	FLANGE DIA.	AXLE DIA. REPAIR KIT
	AG-RM241500	2-3/8"	1-1/2"	N/A	5/8" RK-RM1500
	AG-RM351550	3-1/2"	1-1/2"	5"	5/8" RK-RM1500
	AG-RM352500	3-1/2"	2-1/2"	N/A	5/8" RK-RM2500
	AG-RM352550	3-1/2"	2-1/2"	5"	5/8" RK-RM2500
	AG-RM352560	3-1/2"	2-1/2"	6"	5/8" RK-RM2500
	AG-RM402500	4"	2-1/2"	N/A	5/8" RK-RM2500
	AG-RM402550	4"	2-1/2"	5"	5/8" RK-RM2500
	AG-RM402560	4"	2-1/2"	6"	5/8" RK-RM2500