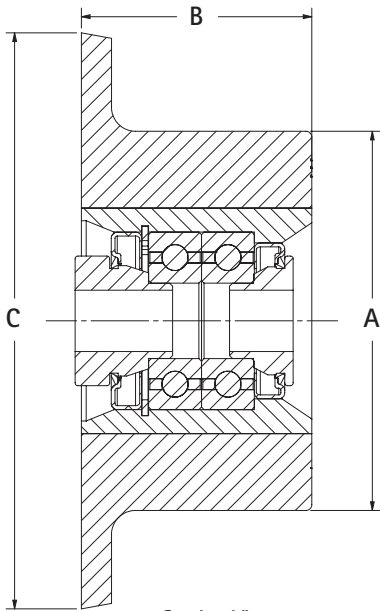


# R SERIES HD ROLLERS

Our HD series heavy duty rollers offer high-quality, abrasion-resistant Kryptane polyurethane cast on a precision machined hub. The HD rollers have urethane flanges and a slightly tapered face which reduces mud build up and makes them the perfect choice for your most abrasive and demanding areas on your equipment. All these features coupled with our patented bearing protection system provide you with one of the hardest working rollers available.



Section View  
AG-R402500



## HEAVY DUTY URETHANE ROLLERS

1/2" SHAFT

PART NUMBER	DIAMETER	WIDTH	FLANGE DIA.	AXLE DIA.	REPAIR KIT
AG-R282500-50	2-3/4"	2-1/2"	N/A	1/2"	RK-2500-50
AG-R282540-50	2-3/4"	2-1/2"	4"	1/2"	RK-2500-50
AG-R351550-50	3-1/2"	1-1/2"	5"	1/2"	RK-1500-50
AG-R352500-50	3-1/2"	2-1/2"	N/A	1/2"	RK-2500-50
AG-R352550-50	3-1/2"	2-1/2"	5"	1/2"	RK-2500-50
AG-R352560-50	3-1/2"	2-1/2"	6"	1/2"	RK-2500-50
AG-R402500-50	4"	2-1/2"	N/A	1/2"	RK-2500-50
AG-R402550-50	4"	2-1/2"	5"	1/2"	RK-2500-50
AG-R402560-50	4"	2-1/2"	6"	1/2"	RK-2500-50
AG-R502500-50	5"	2-1/2"	N/A	1/2"	RK-2500-50
AG-R502580-50	5"	2-1/2"	8"	1/2"	RK-2500-50

5/8" SHAFT

PART NUMBER	DIAMETER	WIDTH	FLANGE DIA.	AXLE DIA.	REPAIR KIT
AG-R282500	2-3/4"	2-1/2"	N/A	5/8"	RK-2500
AG-R282540	2-3/4"	2-1/2"	4"	5/8"	RK-2500
AG-R351550	3-1/2"	1-1/2"	5"	5/8"	RK-1500
AG-R352500	3-1/2"	2-1/2"	N/A	5/8"	RK-2500
AG-R352550	3-1/2"	2-1/2"	5"	5/8"	RK-2500
AG-R352560	3-1/2"	2-1/2"	6"	5/8"	RK-2500
AG-R402500	4"	2-1/2"	N/A	5/8"	RK-2500
AG-R402550	4"	2-1/2"	5"	5/8"	RK-2500
AG-R402560	4"	2-1/2"	6"	5/8"	RK-2500
AG-R502500	5"	2-1/2"	N/A	5/8"	RK-2500
AG-R502580	5"	2-1/2"	8"	5/8"	RK-2500

3/4" SHAFT

PART NUMBER	DIAMETER	WIDTH	FLANGE DIA.	AXLE DIA.	REPAIR KIT
AG-R282500-75	2-3/4"	2-1/2"	N/A	3/4"	RK-2500-75
AG-R282540-75	2-3/4"	2-1/2"	4"	3/4"	RK-2500-75
AG-R351550-75	3-1/2"	1-1/2"	5"	3/4"	RK-1500-75
AG-R352500-75	3-1/2"	2-1/2"	N/A	3/4"	RK-2500-75
AG-R352550-75	3-1/2"	2-1/2"	5"	3/4"	RK-2500-75
AG-R352560-75	3-1/2"	2-1/2"	6"	3/4"	RK-2500-75
AG-R402500-75	4"	2-1/2"	N/A	3/4"	RK-2500-75
AG-R402550-75	4"	2-1/2"	5"	3/4"	RK-2500-75
AG-R402560-75	4"	2-1/2"	6"	3/4"	RK-2500-75
AG-R502500-75	5"	2-1/2"	N/A	3/4"	RK-2500-75
AG-R502580-75	5"	2-1/2"	8"	3/4"	RK-2500-75