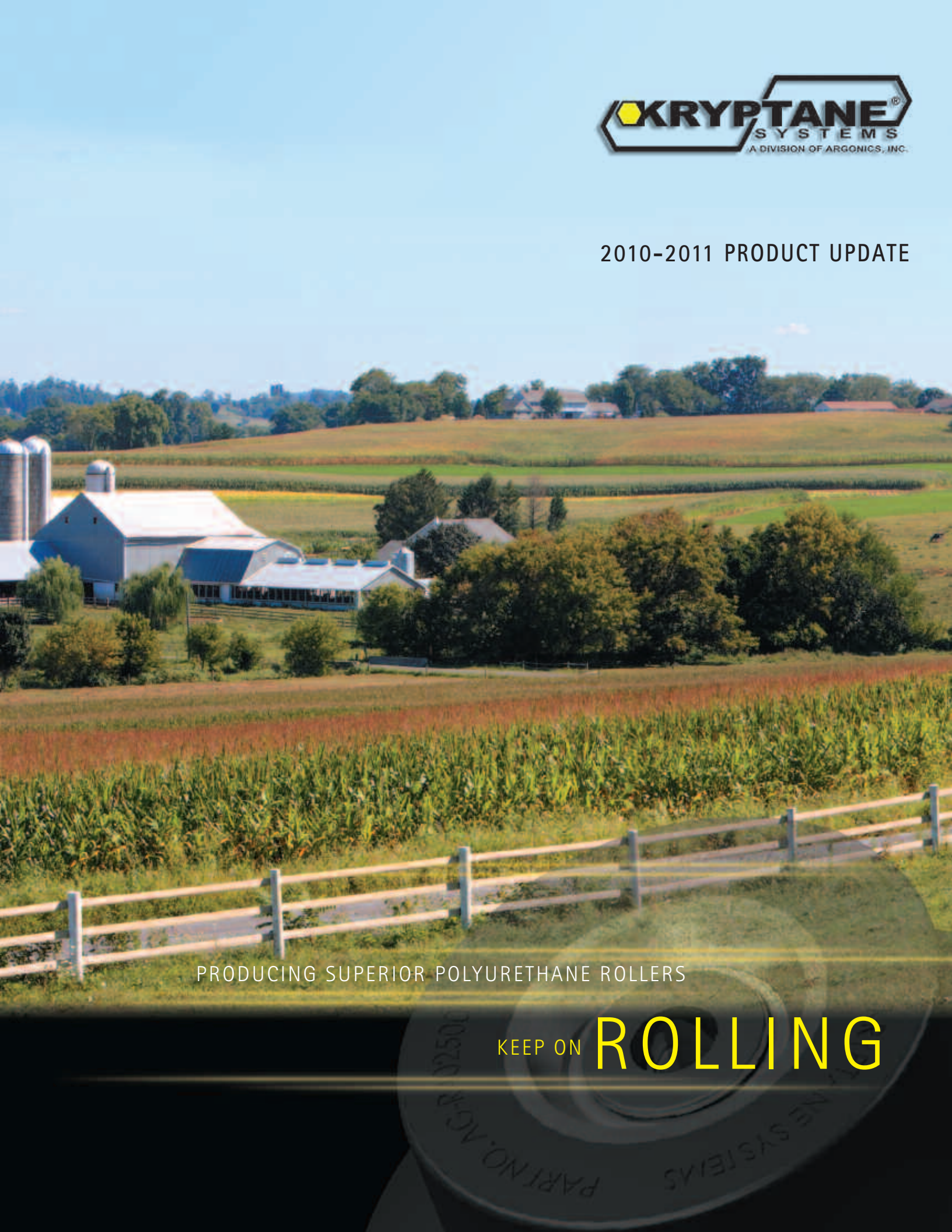




2010-2011 PRODUCT UPDATE



PRODUCING SUPERIOR POLYURETHANE ROLLERS

KEEP ON **ROLLING**



PRODUCING SUPERIOR PERFORMANCE PRODUCTS

For more than 30 years, Kryptane Systems, a leader in custom cast urethane manufacturing, has been producing abrasion-resistant and high-resilience polyurethane performance products for the industrial marketplace.

Kryptane Systems offers a full line of rollers for agricultural harvesting equipment. Kryptane rollers are designed to work on every major brand of equipment available today.

If you can't find it we can make it.

Kryptane Roller features include:

- High abrasion resistance
- Superior ability to shed mud
- Patented bearing assembly (Patents: 6746387 & 7201713) that extends usable life
- Variety of choice and custom specifications available
 - Medium duty urethane rollers
 - Heavy duty urethane rollers
 - High quality rubber rollers
- The longest lasting nose rollers on the market - available in polyurethane and steel





Our products have consistently out-performed our competitors' products by a significant margin

COMPANY OVERVIEW

Kryptane Systems is the leading producer of custom-manufactured cast urethane products in the United States. Our company has been producing superior performance products for the industrial marketplace for more than 30 years and is well known for its abrasion-resistant and highly resilient polyurethane materials.

Our business is built on providing the best possible products and the highest level of quality available on the market today. We are committed to providing outstanding customer service at a level unseen in our industry. We may not always be the lowest cost solution but our products have consistently out-performed our competitors' products by a significant margin.

Kryptane Systems offers our customers the Kryptane Advantage:

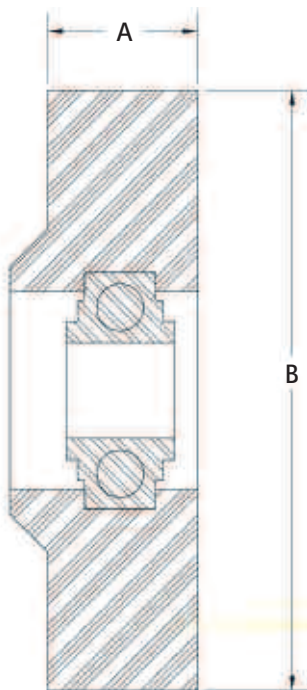
The Kryptane Advantage is our comprehensive knowledge of urethane chemistry and manufacturing techniques that have propelled us to the forefront of urethane manufacturers worldwide. Kryptane Systems uses a proprietary blend of polymers that ensure consistent, high-quality products that loyal Kryptane customers demand. Our knowledge and processes give us the ability to adapt our chemistry to meet your specific requirements.

Kryptane Systems is owned by Argonics, Inc., the leader in performance polyurethanes. Based in Gwinn, Mich., Argonics is the industry's largest producer of polyurethane products.

	Page
Idler Rollers	4
HD Idler Rollers	5
RC & RD Idler Rollers	6
Spindle Rollers	7
RM Series Medium Duty Rollers	8
RC Series Rubber on Steel Rollers	9
HD Series Urethane on Steel Rollers	10
Nose Rollers	11
Shakers	12
Acorn Rollers	13
Finger Rollers	14
Chiller Rollers	16
Caster Wheels	18
Repair Kits	20
Kryptane Xtreme & Blue Ox Polyurethane Liners	22
Quote Form/Warranty Information	23

POLYURETHANE IDLER ROLLERS

Put the mud shedding capabilities of our urethane products to work for you! Kryptane® brand polyurethane encapsulates a 203KRR2 double lip sealed bearing on all rollers up to 3" diameter, and a larger 6204-2RS double-lip sealed bearing is used in the larger diameter rollers. All Kryptane idlers are 1" wide and have a 1 1/4" boss at the bearing.



Section View
AG-R401000

1 INCH URETHANE IDLERS

		A	B	
5/8" SHAFT	PART NUMBER	DIAMETER	WIDTH	AXLE DIA.
	AG-R241000	2-3/8"	1"	5/8"
	AG-R301000	3"	1"	5/8"
	AG-R401000	4"	1"	5/8"
	AG-R501000	5"	1"	5/8"
	AG-R601000	6"	1"	5/8"
	AG-R701000	7"	1"	5/8"

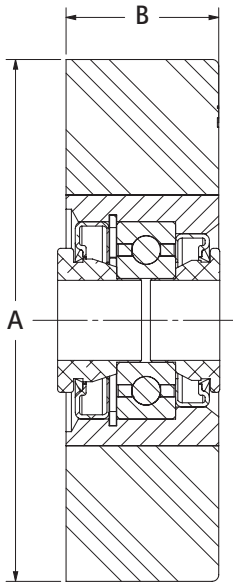
IDLER STANDOFFS

		A	B
STANDOFFS	PART NUMBER	OVERALL LENGTH	AXLE DIAMETER
	STND-S0141850	1-3/4"	1/2"
	STND-S0181363	1-1/4"	5/8"
	STND-S0181863	1-3/4"	5/8"
	STND-S0203663	3-5/8"	5/8"

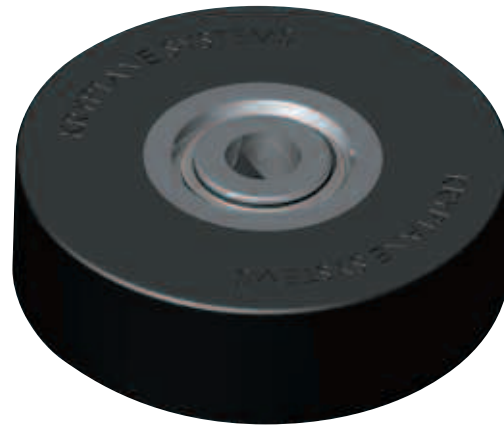
R SERIES HEAVY DUTY ROLLERS

1 1/2" WIDE IDLER ROLLERS ON A STEEL HUB

For areas that require an idler that will stand up to heavy load demands, choose our selection of heavy duty idlers. These Idlers have our premium polyurethane bonded to a precision-machined steel hub. They come standard with our patented bearing protection system and rugged 6204-2RS double-lip sealed bearings that are packed with food-grade grease.



Section View
AG-R501500



1-1/2 INCH HEAVY DUTY IDLERS

	A	B	C		
1/2" SHAFT	PART NUMBER	DIAMETER	WIDTH	FLANGE DIA.	AXLE DIA. REPAIR KIT
	AG-R401500-50	4"	1-1/2"	N/A	1/2" RK-1500-50
	AG-R501500-50	5"	1-1/2"	N/A	1/2" RK-1500-50
	AG-R601500-50	6"	1-1/2"	N/A	1/2" RK-1500-50
5/8" SHAFT	PART NUMBER	DIAMETER	WIDTH	FLANGE DIA.	AXLE DIA. REPAIR KIT
	AG-R401500	4"	1-1/2"	N/A	5/8" RK-1500
	AG-R501500	5"	1-1/2"	N/A	5/8" RK-1500
	AG-R601500	6"	1-1/2"	N/A	5/8" RK-1500
3/4" SHAFT	PART NUMBER	DIAMETER	WIDTH	FLANGE DIA.	AXLE DIA. REPAIR KIT
	AG-R401500-75	4"	1-1/2"	N/A	3/4" RK-1500-75
	AG-R501500-75	5"	1-1/2"	N/A	3/4" RK-1500-75
	AG-R601500-75	6"	1-1/2"	N/A	3/4" RK-1500-75

RC IDLER ROLLERS

The RC rubber idler roller gives you economy and performance. Our RC roller features superior rubber that is manufactured to our tough specifications. These rollers come stock with a 5/8" bore. A reducer bushing is available for purchase to reduce the bore to 1/2".



AG-RC401000

RC IDLER ROLLERS

5/8" SHAFT	PART NUMBER	DIAMETER	WIDTH	AXLE DIA.
	AG-RC401000	4"	1"	5/8"
	AG-RC501000	5"	1"	5/8"
	AG-RC601000	6"	1"	5/8"

RD IDLER ROLLERS

Our RD series roller gives you maximum performance in a standard-duty idler roller. Kryptane's high abrasion-resistant polyurethane is cast directly onto a tough injection-molded hub that locks the bearing securely in place to keep the roller turning in your most demanding applications.



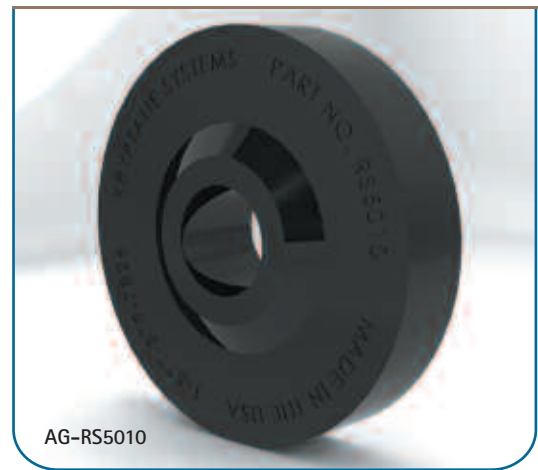
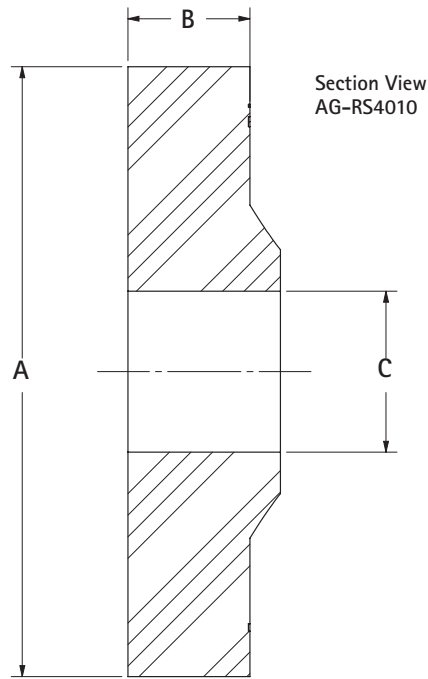
AG-RD401000-B95A

RD IDLER ROLLERS

5/8" SHAFT	PART NUMBER	DIAMETER	WIDTH	AXLE DIA.
	AG-RD401000-B95A	4"	1"	5/8"
	AG-RD501000-B95A	5"	1"	5/8"
	AG-RD601000-B95A	6"	1"	5/8"

Available in a softer durometer upon request.

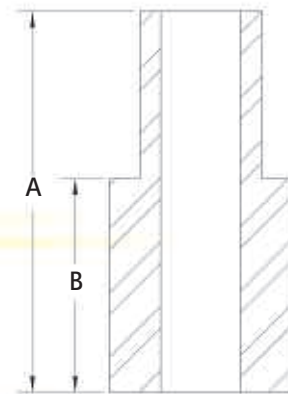
Put the superior abrasion resistant properties of our urethane on your spindles. You'll notice the benefits of our material right away.



SPINDLE ROLLERS

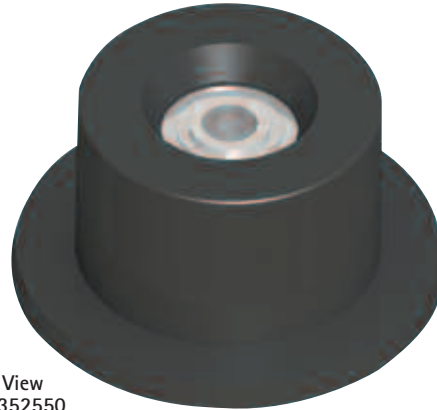
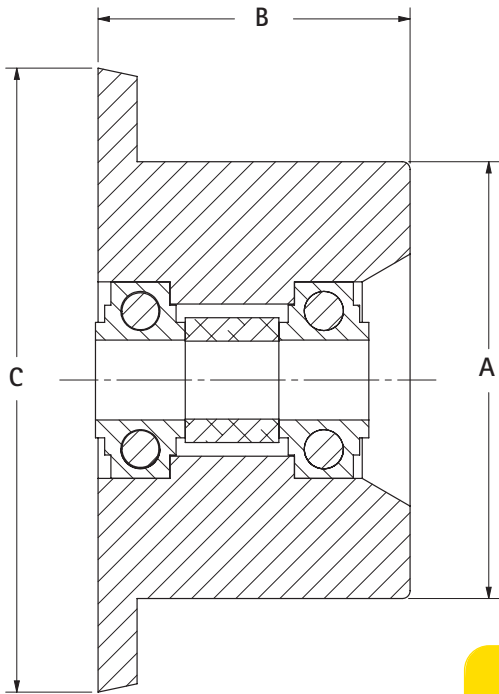
ROLLERS	PART NUMBER	A	B	C
		OUTER DIA.	WIDTH	INNER DIA.
	AG-RS4010	4"	1"	1"
	AG-RS5010	5"	1"	1"

SPINDLES	PART NUMBER	A	B	AXLE DIA.
		OVERALL LENGTH	SPINDLE LENGTH	
	AG-RS151850	3.125"	1.75"	1/2"
	AG-RS151863	3.125"	1.75"	5/8"
	AG-RS152550	3.875"	2.5"	1/2"
	AG-RS152563	3.875"	2.5"	5/8"
	AG-RS153550	4.875"	3.5"	1/2"
	AG-RS153563	4.875"	3.5"	5/8"



RM SERIES ROLLERS

Our economical RM series rollers are designed specifically for your light- to medium-duty applications. These rollers are constructed of solid Kryptane polyurethane and have two 203KRR2 bearings. The RM series offers excellent mud shedding and abrasion-resistant properties that are unmatched in the industry.



Section View
AG-RM352550

SOLID POLYURETHANE WITH URETHANE FLANGES

	A	B	C			
1/2" SHAFT	PART NUMBER	DIAMETER	WIDTH	FLANGE DIA.	AXLE DIA.	REPAIR KIT
	AG-RM241500-50	2-3/8"	1-1/2"	N/A	1/2"	RK-RM1500-50
	AG-RM351550-50	3-1/2"	1-1/2"	5"	1/2"	RK-RM1500-50
	AG-RM352500-50	3-1/2"	2-1/2"	N/A	1/2"	RK-RM2500-50
	AG-RM352550-50	3-1/2"	2-1/2"	5"	1/2"	RK-RM2500-50
	AG-RM352560-50	3-1/2"	2-1/2"	6"	1/2"	RK-RM2500-50
	AG-RM402500-50	4"	2-1/2"	N/A	1/2"	RK-RM2500-50
	AG-RM402550-50	4"	2-1/2"	5"	1/2"	RK-RM2500-50
	AG-RM402560-50	4"	2-1/2"	6"	1/2"	RK-RM2500-50

5/8" SHAFT	PART NUMBER	DIAMETER	WIDTH	FLANGE DIA.	AXLE DIA.	REPAIR KIT
	AG-RM241500	2-3/8"	1-1/2"	N/A	5/8"	RK-RM1500
	AG-RM351550	3-1/2"	1-1/2"	5"	5/8"	RK-RM1500
	AG-RM352500	3-1/2"	2-1/2"	N/A	5/8"	RK-RM2500
	AG-RM352550	3-1/2"	2-1/2"	5"	5/8"	RK-RM2500
	AG-RM352560	3-1/2"	2-1/2"	6"	5/8"	RK-RM2500
	AG-RM402500	4"	2-1/2"	N/A	5/8"	RK-RM2500
	AG-RM402550	4"	2-1/2"	5"	5/8"	RK-RM2500
	AG-RM402560	4"	2-1/2"	6"	5/8"	RK-RM2500

RUBBER ROLLERS

WITH STEEL FLANGES

A B C

1/2" SHAFT

PART NUMBER	DIAMETER	WIDTH	FLANGE DIA.	AXLE DIA.	REPAIR KIT
AG-RC351550-50	3-1/2"	1-1/2"	5"	1/2"	RK-1500-50
AG-RC352500-50	3-1/2"	2-1/2"	N/A	1/2"	RK-2500-50
AG-RC352550-50	3-1/2"	2-1/2"	5"	1/2"	RK-2500-50
AG-RC352560-50	3-1/2"	2-1/2"	6"	1/2"	RK-2500-50
AG-RC352580-50	3-1/2"	2-1/2"	8"	1/2"	RK-2500-50
AG-RC401550-50	4"	1-1/2"	5"	1/2"	RK-1500-50
AG-RC402500-50	4"	2-1/2"	N/A	1/2"	RK-2500-50
AG-RC402550-50	4"	2-1/2"	5"	1/2"	RK-2500-50
AG-RC402560-50	4"	2-1/2"	6"	1/2"	RK-2500-50
AG-RC402580-50	4"	2-1/2"	8"	1/2"	RK-2500-50

5/8" SHAFT

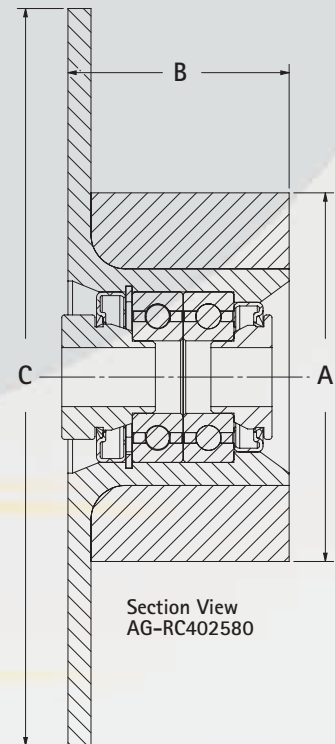
PART NUMBER	DIAMETER	WIDTH	FLANGE DIA.	AXLE DIA.	REPAIR KIT
AG-RC351550	3-1/2"	1-1/2"	5"	5/8"	RK-1500
AG-RC352500	3-1/2"	2-1/2"	N/A	5/8"	RK-2500
AG-RC352550	3-1/2"	2-1/2"	5"	5/8"	RK-2500
AG-RC352560	3-1/2"	2-1/2"	6"	5/8"	RK-2500
AG-RC352580	3-1/2"	2-1/2"	8"	5/8"	RK-2500
AG-RC401550	4"	1-1/2"	5"	5/8"	RK-1500
AG-RC402500	4"	2-1/2"	N/A	5/8"	RK-2500
AG-RC402550	4"	2-1/2"	5"	5/8"	RK-2500
AG-RC402560	4"	2-1/2"	6"	5/8"	RK-2500
AG-RC402580	4"	2-1/2"	8"	5/8"	RK-2500

3/4" SHAFT

PART NUMBER	DIAMETER	WIDTH	FLANGE DIA.	AXLE DIA.	REPAIR KIT
AG-RC351550-75	3-1/2"	1-1/2"	5"	3/4"	RK-1500-75
AG-RC352500-75	3-1/2"	2-1/2"	N/A	3/4"	RK-2500-75
AG-RC352550-75	3-1/2"	2-1/2"	5"	3/4"	RK-2500-75
AG-RC352560-75	3-1/2"	2-1/2"	6"	3/4"	RK-2500-75
AG-RC352580-75	3-1/2"	2-1/2"	8"	3/4"	RK-2500-75
AG-RC401550-75	4"	1-1/2"	5"	3/4"	RK-1500-75
AG-RC402500-75	4"	2-1/2"	N/A	3/4"	RK-2500-75
AG-RC402550-75	4"	2-1/2"	5"	3/4"	RK-2500-75
AG-RC402560-75	4"	2-1/2"	6"	3/4"	RK-2500-75
AG-RC402580-75	4"	2-1/2"	8"	3/4"	RK-2500-75

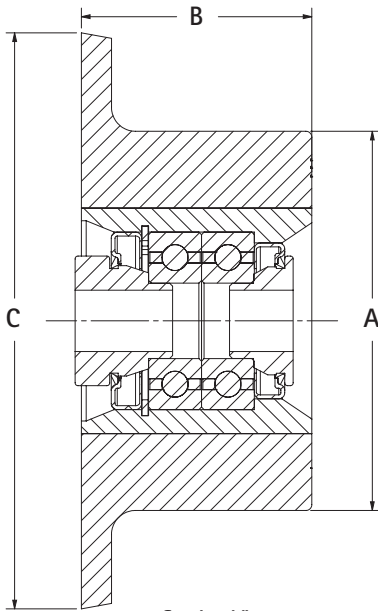
Our RC series rubber rollers are constructed with high-quality rubber vulcanized on a steel bearing housing with steel flanges.

What separates these rollers from the competition is our patented bearing protection system with 6204-2RS double-lip sealed bearings that are manufactured to our exacting specifications.



R SERIES HD ROLLERS

Our HD series heavy duty rollers offer high-quality, abrasion-resistant Kryptane polyurethane cast on a precision machined hub. The HD rollers have urethane flanges and a slightly tapered face which reduces mud build up and makes them the perfect choice for your most abrasive and demanding areas on your equipment. All these features coupled with our patented bearing protection system provide you with one of the hardest working rollers available.



Section View
AG-R402500



HEAVY DUTY URETHANE ROLLERS

1/2" SHAFT

PART NUMBER	DIAMETER	WIDTH	FLANGE DIA.	AXLE DIA.	REPAIR KIT
AG-R282500-50	2-3/4"	2-1/2"	N/A	1/2"	RK-2500-50
AG-R282540-50	2-3/4"	2-1/2"	4"	1/2"	RK-2500-50
AG-R351550-50	3-1/2"	1-1/2"	5"	1/2"	RK-1500-50
AG-R352500-50	3-1/2"	2-1/2"	N/A	1/2"	RK-2500-50
AG-R352550-50	3-1/2"	2-1/2"	5"	1/2"	RK-2500-50
AG-R352560-50	3-1/2"	2-1/2"	6"	1/2"	RK-2500-50
AG-R402500-50	4"	2-1/2"	N/A	1/2"	RK-2500-50
AG-R402550-50	4"	2-1/2"	5"	1/2"	RK-2500-50
AG-R402560-50	4"	2-1/2"	6"	1/2"	RK-2500-50
AG-R502500-50	5"	2-1/2"	N/A	1/2"	RK-2500-50
AG-R502580-50	5"	2-1/2"	8"	1/2"	RK-2500-50

5/8" SHAFT

PART NUMBER	DIAMETER	WIDTH	FLANGE DIA.	AXLE DIA.	REPAIR KIT
AG-R282500	2-3/4"	2-1/2"	N/A	5/8"	RK-2500
AG-R282540	2-3/4"	2-1/2"	4"	5/8"	RK-2500
AG-R351550	3-1/2"	1-1/2"	5"	5/8"	RK-1500
AG-R352500	3-1/2"	2-1/2"	N/A	5/8"	RK-2500
AG-R352550	3-1/2"	2-1/2"	5"	5/8"	RK-2500
AG-R352560	3-1/2"	2-1/2"	6"	5/8"	RK-2500
AG-R402500	4"	2-1/2"	N/A	5/8"	RK-2500
AG-R402550	4"	2-1/2"	5"	5/8"	RK-2500
AG-R402560	4"	2-1/2"	6"	5/8"	RK-2500
AG-R502500	5"	2-1/2"	N/A	5/8"	RK-2500
AG-R502580	5"	2-1/2"	8"	5/8"	RK-2500

3/4" SHAFT

PART NUMBER	DIAMETER	WIDTH	FLANGE DIA.	AXLE DIA.	REPAIR KIT
AG-R282500-75	2-3/4"	2-1/2"	N/A	3/4"	RK-2500-75
AG-R282540-75	2-3/4"	2-1/2"	4"	3/4"	RK-2500-75
AG-R351550-75	3-1/2"	1-1/2"	5"	3/4"	RK-1500-75
AG-R352500-75	3-1/2"	2-1/2"	N/A	3/4"	RK-2500-75
AG-R352550-75	3-1/2"	2-1/2"	5"	3/4"	RK-2500-75
AG-R352560-75	3-1/2"	2-1/2"	6"	3/4"	RK-2500-75
AG-R402500-75	4"	2-1/2"	N/A	3/4"	RK-2500-75
AG-R402550-75	4"	2-1/2"	5"	3/4"	RK-2500-75
AG-R402560-75	4"	2-1/2"	6"	3/4"	RK-2500-75
AG-R502500-75	5"	2-1/2"	N/A	3/4"	RK-2500-75
AG-R502580-75	5"	2-1/2"	8"	3/4"	RK-2500-75

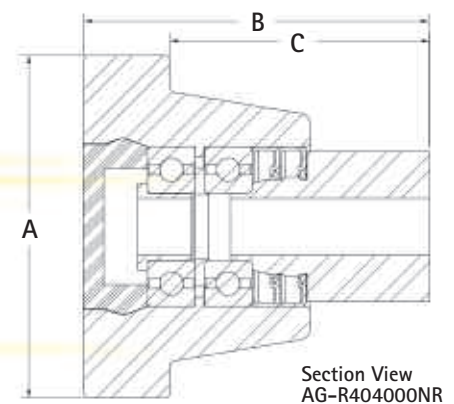
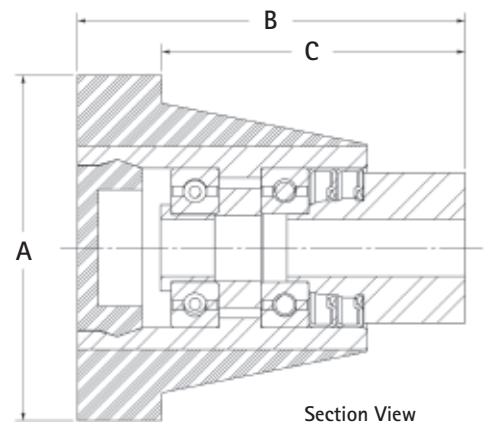
NOSE ROLLERS

Our nose rollers are the best-performing, longest-lasting nose rollers available. All rollers are tapered, preventing rocks and other debris from getting trapped under the belt. The taper also helps prevent mud from building up on the roller.

All nose rollers are supplied with our patented bearing protection system, a unique double seal and a watertight plug that offers maximum protection in the harsh operating environment. Our exclusive polyurethane nose roller promotes longer life and extended rod wear. The pull-out standoff allows for bolts up to 3/4" plus a variety of overall roller lengths.

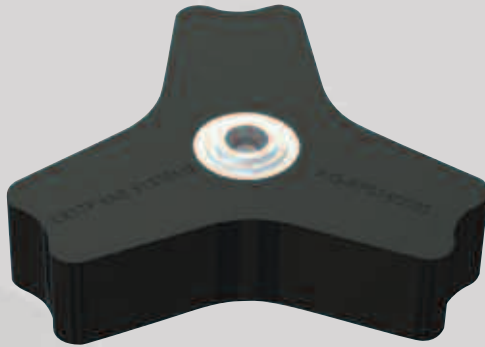


URETHANE NOSE ROLLERS						
	A	B	C			
URETHANE	PART NUMBER	DIAMETER	WIDTH	WIDTH 2	AXLE DIA.	REPAIR KIT
	AG-R403300NR	4"	4-1/2"	3-1/2"	5/8"	RK-4033NR
	AG-R403300NR-75	4"	4-1/2"	3-1/2"	3/4"	RK-4033NR-75
STEEL NOSE ROLLERS						
	A	B	C			
STEEL	PART NUMBER	DIAMETER	WIDTH	WIDTH 2	AXLE DIA.	REPAIR KIT
	AG-R404000NR	4"	4"	3"	5/8"	RK-4040NR
	AG-R404000NR-75	4"	4"	3"	3/4"	RK-4040NR-75
STEEL	PART NUMBER	DIAMETER	WIDTH	WIDTH 2	AXLE DIA.	REPAIR KIT
	AG-R402800NR	4"	2.84"	1.84"	5/8"	RK-4028NR
	AG-R402800NR-75	4"	2.84"	1.84"	3/4"	RK-4028NR-75

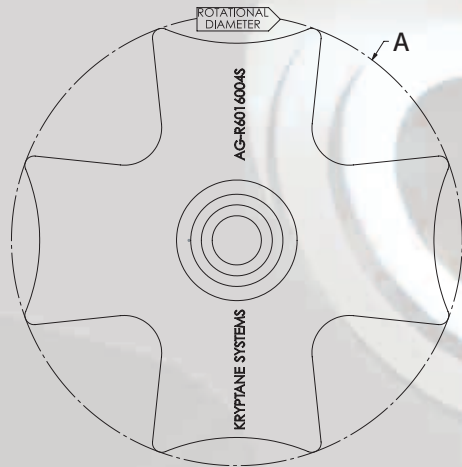
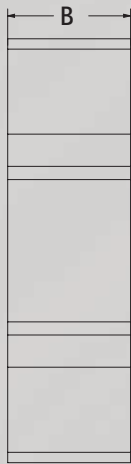
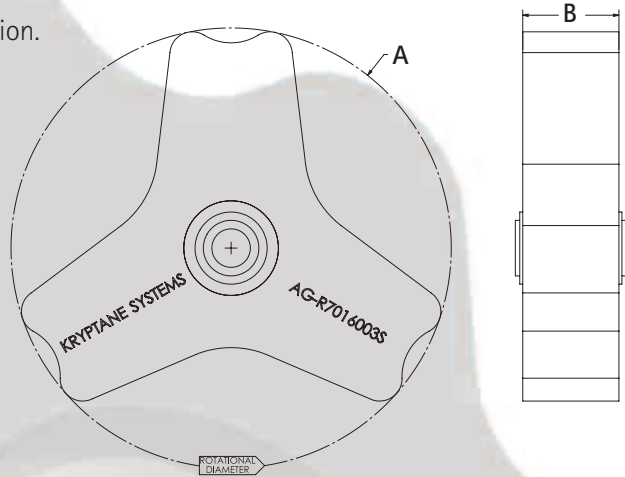


POLYURETHANE SHAKERS

All shakers have two bearings and are highly resilient for better bounce, ensuring a much cleaner product and worry-free operation.



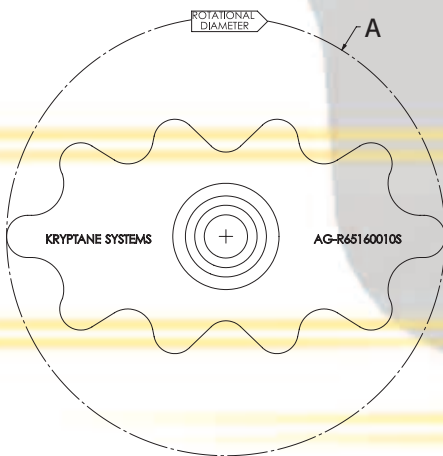
Three Point Shaker
AG-R7016003S



Four Point Shaker
AG-R6016004S



Ten Point Shaker
AG-R65160010S

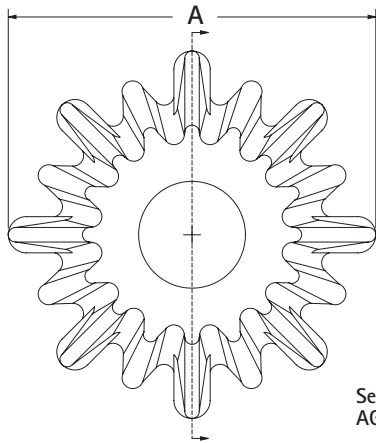


POLYURETHANE SHAKERS

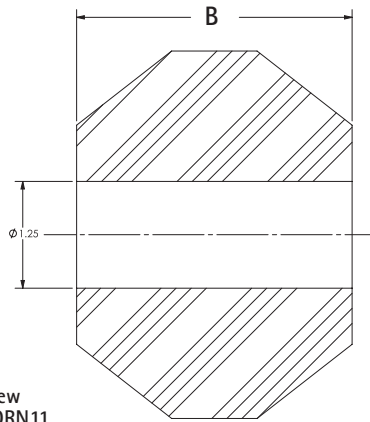
		A	B		
	PART NUMBER	DIAMETER	WIDTH	AXLE DIA.	REPAIR KIT
THREE POINT	AG-R7012003S	7"	1.2"	5/8"	RK-RM1500
	AG-R7016003S	7"	1.6"	5/8"	RK-RM1500
FOUR POINT	AG-R6016004S	6"	1.6"	5/8"	RK-RM1500
TEN POINT	AG-R65160010S	6-1/2"	1.6"	5/8"	RK-RM1500

ACORN ROLLERS

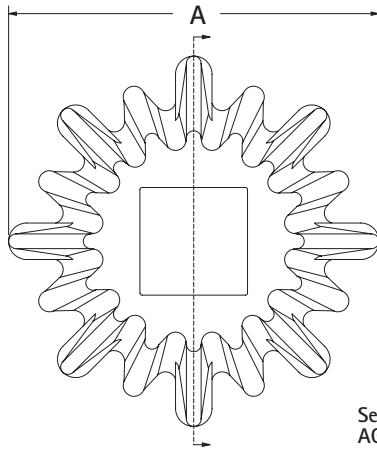
Kryptane Systems offers our high quality rubber acorn rollers in both a square and round bore. In addition, Kryptane offers our mud shedding urethane acorn in a square bore. With either rubber or urethane, you can count on Kryptane Systems acorns for outstanding performance in both your dirt elimination and sizing applications.



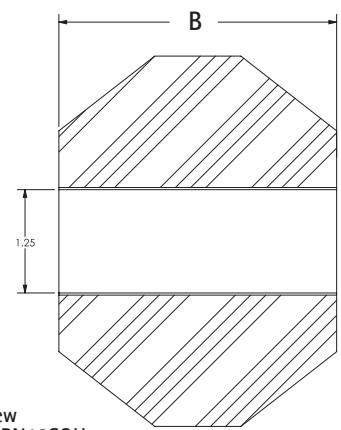
Section View
AG-RFACORN11



Square Shaft available in either rubber or urethane.



Section View
AG-RFACORN12SQU



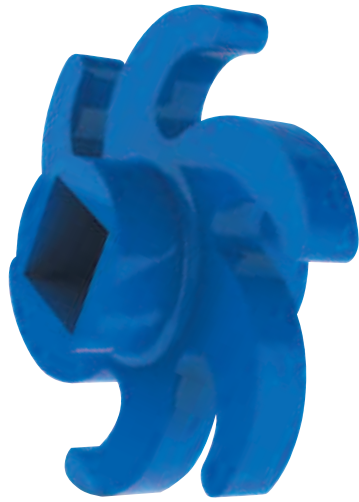
RUBBER ACORN ROLLERS

		A	B	C	
ROUND	PART NUMBER	DIAMETER	HUB WIDTH	SHAFT DIAMETER	SHAFT TYPE
	AG-RFACORN11	4"	3"	1-1/4"	ROUND

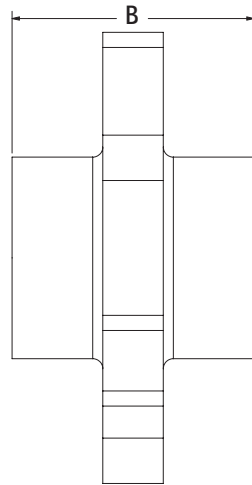
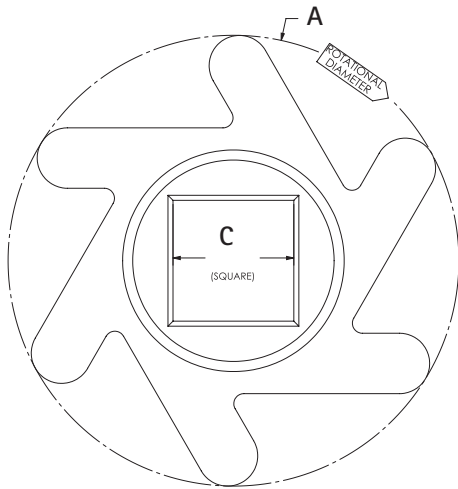
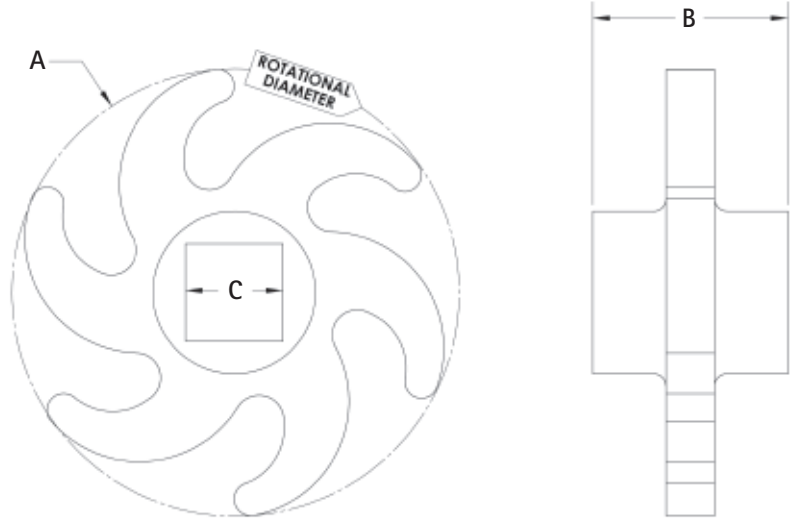
		A	B	C	
SQUARE	PART NUMBER	DIAMETER	HUB WIDTH	SHAFT DIAMETER	SHAFT TYPE
	AG-RFACORN12SQU	4"	3"	1-1/4"	SQUARE

POLYURETHANE ACORN ROLLER

		A	B	C	
SQUARE	PART NUMBER	DIAMETER	HUB WIDTH	SHAFT DIAMETER	SHAFT TYPE
	AG-RFACORN12SQU	4"	3"	1-1/4"	SQUARE



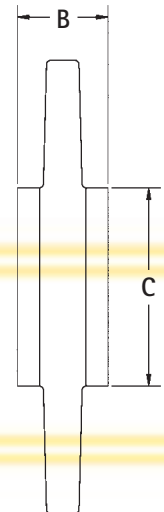
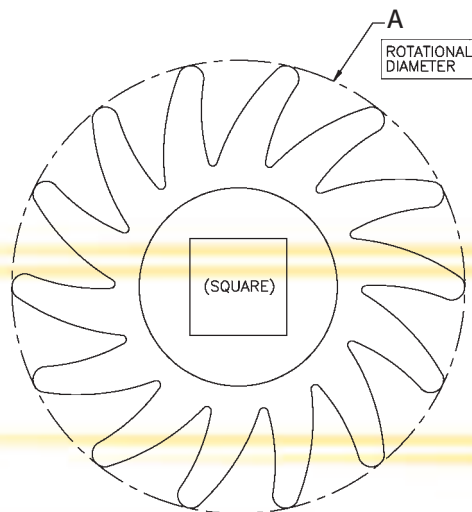
Urethane Six Finger Roller
AG-RF061253065U



Six Finger Roller
AG-RF0612553



Fourteen Finger Roller
AG-RF1412580



Today's faster, more advanced agricultural machinery demands the superior properties delivered by Kryptane Systems' urethane finger roller technology. Kryptane Systems' urethane finger rollers are developed hand-in-hand with harvesting equipment advances. Flexible urethane finger rollers minimize bruising, provide less sticking and build up, and deliver superior mud shedding properties. When you choose Kryptane rollers, you get the best in harvesting performance with the durability that you expect.

RUBBER FINGER ROLLERS

		A	B	C
FIVE FINGER	PART NUMBER	FINGER DIA.	HUB WIDTH	SQ. SHAFT OPENING
	AG-RF051252852	5"	2-3/4"	1-1/4"
	AG-RF051252865	6-1/2"	2-3/4"	1-1/4"
SIX FINGER	PART NUMBER	FINGER DIA.	HUB WIDTH	SQ. SHAFT OPENING
	AG-RF0612553	5-1/2"	3"	1-1/4"
	AG-RF0615053	5-1/2"	3"	1-1/2"
	AG-RF063512553	5-1/2"	3-1/2"	1-1/4"

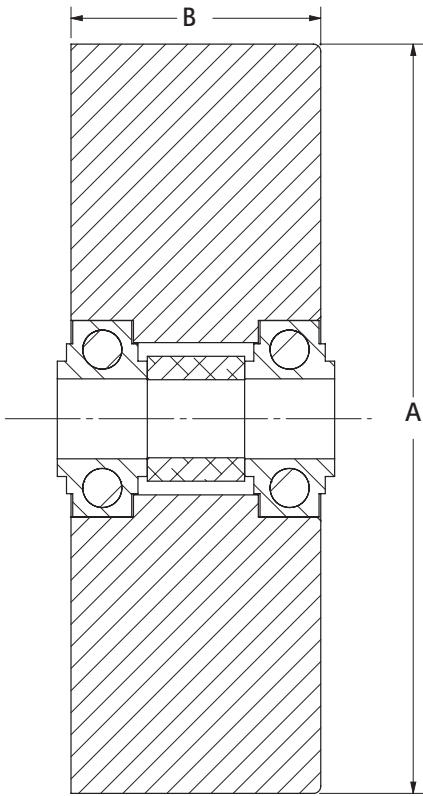


POLYURETHANE FINGER ROLLERS

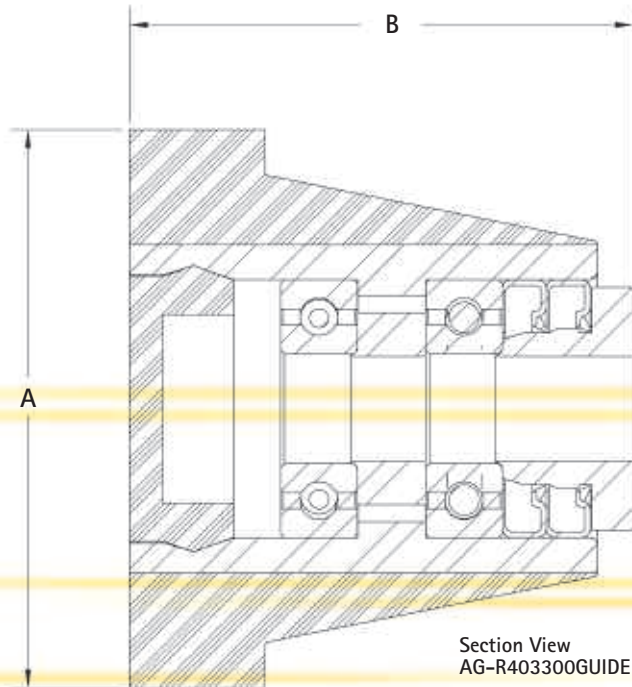
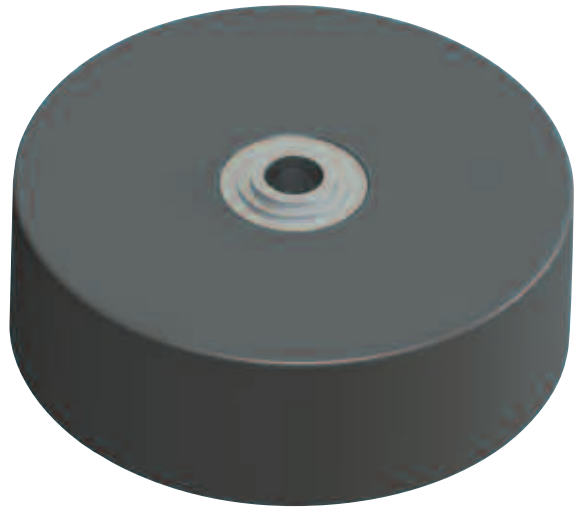
		A	B	C		
SIX FINGER	PART NUMBER	DESCRIPTION	FINGER DIA.	HUB WIDTH	SQ. SHAFT OPENING	FINGERS
	AG-RF061253065U	FINGER ROLLER SWEPT	6.50"	3.00"	1.25"	6
	AG-RF061503065U	FINGER ROLLER SWEPT	6.50"	3.00"	1.50"	6
	AG-RF0612553U	FINGER ROLLER STRAIGHT	5.30"	3.00"	1.25"	6
	AG-RF0615053U	FINGER ROLLER STRAIGHT	5.30"	3.00"	1.50"	6
	AG-RF062712553U	FINGER ROLLER STRAIGHT	5.30"	2.75"	1.25"	6
FOURTEEN FINGER			A	B	C	
	PART NUMBER	DESCRIPTION	FINGER DIA.	HUB WIDTH	SQ. SHAFT OPENING	FINGERS
	AG-RF1412580	FINGER ROLLER SWEPT	6.50"	1.38"	1.25"	14
	AG-RF1415080	FINGER ROLLER SWEPT	6.50"	1.38"	1.50"	14

CHILLER ROLLERS

Our selection of chiller rollers are manufactured specifically for the harsh environment found in chiller/vacuum tubes. Kryptane Chiller Rollers excel where other rollers fail.



Section View
AG-RM402000



Section View
AG-R403300GUIDE

MEDIUM DUTY

CHILLER ROLLERS

A B

1/2" SHAFT

PART NUMBER	DIAMETER	WIDTH	AXLE DIA.	REPAIR KIT
AG-RM402000-50	4"	2"	1/2"	RK-RMC2000-50
AG-RM502000-50	5"	2"	1/2"	RK-RMC2000-50
AG-RM602000-50	6"	2"	1/2"	RK-RMC2000-50

5/8" SHAFT

PART NUMBER	DIAMETER	WIDTH	AXLE DIA.	REPAIR KIT
AG-RM402000	4"	2"	5/8"	RK-RMC2000
AG-RM502000	5"	2"	5/8"	RK-RMC2000
AG-RM602000	6"	2"	5/8"	RK-RMC2000

HEAVY DUTY

CHILLER ROLLERS

A B

5/8" SHAFT

PART NUMBER	DIAMETER	WIDTH	AXLE DIA.	REPAIR KIT
AG-R502000	5"	2"	5/8"	RK-C2000
AG-R602000	6"	2"	5/8"	RK-C2000

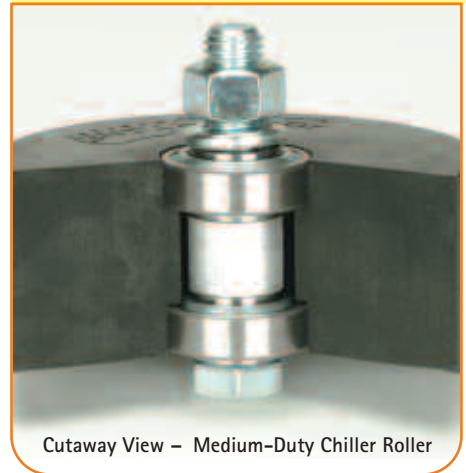
3/4" SHAFT

PART NUMBER	DIAMETER	WIDTH	AXLE DIA.	REPAIR KIT
AG-R502000-75	5"	2"	3/4"	RK-C2000-75
AG-R602000-75	6"	2"	3/4"	RK-C2000-75

GUIDE ROLLERS

A B

PART NUMBER	DIAMETER	WIDTH	AXLE DIA.	REPAIR KIT
AG-R403300GUIDE	4"	3.6"	5/8"	RK-4033GUIDE
AG-R403300GUIDE-75	4"	3.6"	3/4"	RK-4033GUIDE-75



Cutaway View – Medium-Duty Chiller Roller



Cutaway View – Heavy-Duty Chiller Roller



Guide Roller

Kryptane Caster Wheels offer a specially-formulated, high-quality urethane that is designed to resist developing flat spots, ensuring that your machinery operates at peak performance.

Features include:

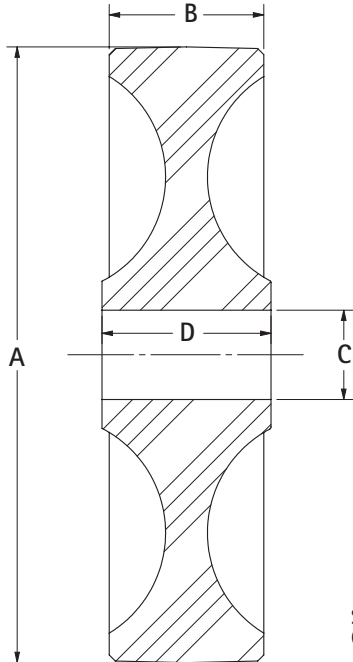
- Proprietary formulation with physical properties and manufacturing processes engineered exclusively for caster wheels.
- One-piece design eliminates bond failure commonly found in elastomer tread wheels with rigid hubs. Wheels can handle high impact and heavy loads. They do not mar floors or floor coatings. Quiet roll with or without bearings.
- Cost efficient, lightweight and long lasting. A strong performer under a wide range of conditions.
- Resist abrasion and compression-set flat spotting. Repel dirt, clean easily and withstand extreme temperature changes.
- Ideally suited for the food processing industry. Stand up to refrigeration and steam cleaning.
- Custom applications and designs welcome.

PHYSICAL PROPERTIES OF CASTER WHEELS

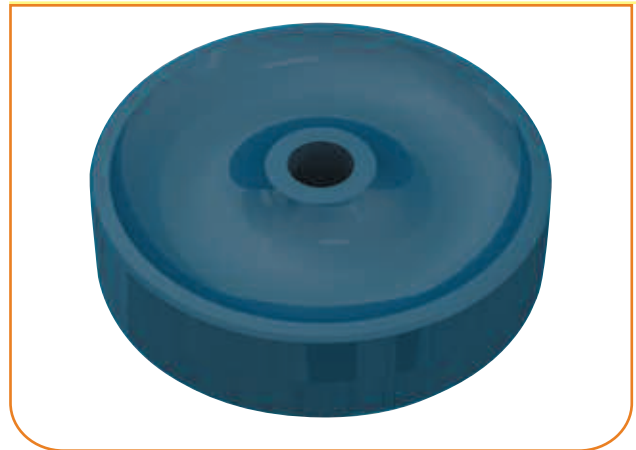
Hardness	55 Shore D
Temperature Range	-50° F to 180° F continuous, up to 250° F intermittently
Abrasion Resistance	Highest possible. Tests indicate that 10 months' use on rough concrete will wear less than 0.050" compared to 1.000" of a macerated canvas phenolic.
Impact Resistance	Impacts that de-bond urethane tread/aluminum hub, chip phenolic, and dent polyolefin will not affect Kryptane Systems wheels.
Flat Spotting	None under suggested load and temperature conditions.
Tensile Strength	4000 PSI
Chemical Resistance	Suitable for use in all environments with the exception of continuous exposure to strong acids, bases or aromatic hydrocarbons.
Concentrated Load	4,000 lbs. applied on a work floor produced no permanent deformation.
Resilience	Extremely high rebound translates into less energy required to move your load.
Noise Level	Less than steel, phenolic, polyolefin, nylon and other urethanes.
Bearings	Customer can machine bore to accept numerous bearing types.

NOTE: Although the caster wheel material itself is capable of handling the published load rating, it is noted that in plain bore applications the rollability will be decreased under maximum load. Rolling resistance in a given application should be tested for acceptance.

CASTER WHEELS



Section View
CW-11006



CASTER WHEELS

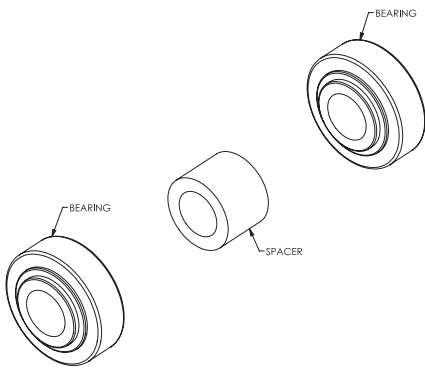
	A	B	C	D	
PART NUMBER	DIA.	TREAD WIDTH	BORE SIZE	HUB LENGTH	LOAD RATING
CW-11006	8"	2"	1-3/16"	2-3/16"	1,400
CW-11000	6"	2"	1-3/16"	2-3/16"	1,200
CW-11009	5"	2"	1-3/16"	2-3/16"	1,000
CW-11002	5"	1-1/4"	1/2"	1-9/16"	700
CW-11003	4"	2"	1-3/16"	2-3/16"	700
CW-11004	4"	1-1/4"	1/2"	1-9/16"	400
CW-11005	3"	1-1/4"	1/2"	1-9/16"	300

REPAIR KIT MATRIX

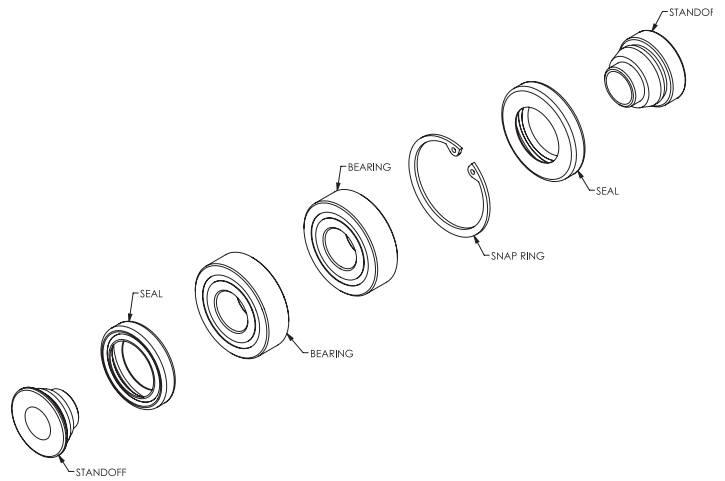
Kits include:

- Bearings and spacers
- All standoffs
- Seals
- Snap Ring
- Bushings

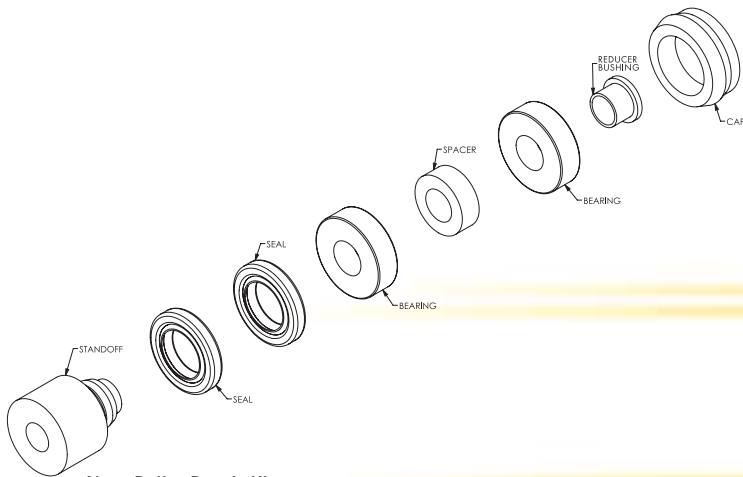
RM SERIES REPAIR KITS



HD SERIES REPAIR KITS

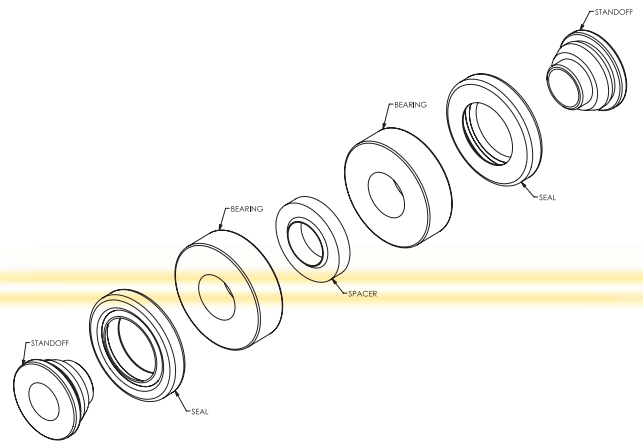


NOSE ROLLER REPAIR KITS



Nose Roller Repair Kit

CHILLER REPAIR KITS



Chiller Repair Kit

RM SERIES

REPAIR KIT MATRIX

Used on all RM series Rollers and Shakers

ROLLER WIDTH	1/2" DIA. SHAFT	5/8" DIA. SHAFT	3/4" DIA. SHAFT
1-1/2"	RK-RM1500-50	RK-RM1500	RK-RM1500-75
2-1/2"	RK-RM2500-50	RK-RM2500	RK-RM2500-75

Two bearings and a spacer 2.5"
Two bearings only on the 1.5"

Used on all RM Medium Duty Chiller Rollers

ROLLER WIDTH	1/2" DIA. SHAFT	5/8" DIA. SHAFT
2"	RK-RM2000-50	RK-RM2000

HD SERIES

REPAIR KIT MATRIX

Used on all HD Idlers, HD Series Rollers, and RC Series Rollers

ROLLER WIDTH	1/2" DIA. SHAFT	5/8" DIA. SHAFT	3/4" DIA. SHAFT
1-1/2"	RK-1500-50	RK-1500	RK-1500-75
2-1/2"	RK-2500-50	RK-2500	RK-2500-75

Used on all Heavy Duty Chiller Rollers

ROLLER WIDTH	5/8" DIA. SHAFT	3/4" DIA. SHAFT
2"	RK-2000	RK-2000-75

NOSE ROLLER

REPAIR KIT MATRIX

ROLLER WIDTH	5/8" DIA. SHAFT	3/4" DIA. SHAFT
AG-R403300NR	RK-4033NR	RK-4033NR-75
AG-R404000NR	RK-4040NR	RK-4040NR-75
AG-R352500NR	RK-3525NR	RK-3525NR-75
AG-R402800NR	RK-4028NR	RK-4028NR-75



Argonics, the parent company of Kryptane Systems, Inc., is one of the country's largest producers of wear-resistant polyurethane products, providing high-performance urethane solutions at its state-of-the-art production facility. Argonics has built its reputation for providing cost-effective solutions for some of the most demanding applications.

CHOOSE KRYPTANE® XTREME & BLUE OX URETHANE SHEETS FOR USE IN THE AGRICULTURE INDUSTRY

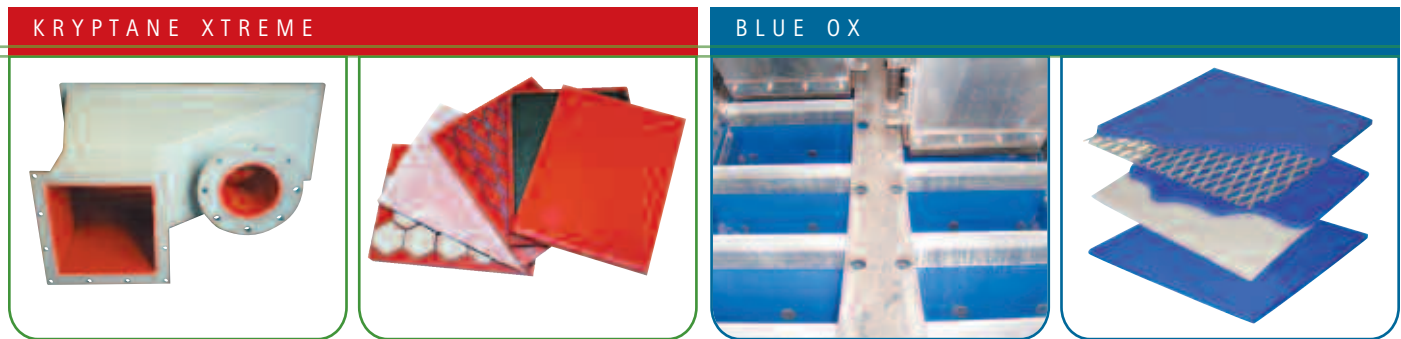
- Custom liners/sizes
- Custom ceramic liners
- Long-standing industry success
- Flame retardant additive available
- Proven performance
- Proven cost-effective
- Variety of backing options

BENEFITS:

- Light-weight
- Flexible
- Excellent abrasion resistance
- Easy to install
- Noise reduction

AGRICULTURAL APPLICATIONS:

- Chutes
- Distributors
- Elbows
- Spouts
- Screw/Drag Conveyor Troughs
- Belt Wipers and Skirting
- Head sections
- Transitions



4' x 10' sheets are available in a variety of thicknesses and hardnesses specifically formulated for the agriculture industry. Argonics' polyurethane can be manufactured to any geometric shape and tailored to meet the demands of your particular wear application. Argonics' Engineering department will help you with original concepts, product and tool design, all the way to finished product and quality control.

Call Argonics for complete specifications and ordering information.



520 9th Street | Gwinn, MI 49841
 906.226.9747 | 800.991.2746 | fax: 906.226.9779 | information@argonics.com

WARRANTY INFORMATION

KRYPTANE QUOTE FORM

To receive a quote or to order Kryptane Systems parts from this catalog, fax orders to 303.661.3113 or call 877.579.7826. If ordering or requesting a quote for custom parts, please call to receive more information.

Name/Title: _____

Company: _____

Address: _____

Phone: _____ Email: _____

Shipping Address: _____

Product Name	Product Number	Quantity
_____	_____	_____
_____	_____	_____
_____	_____	_____
_____	_____	_____
_____	_____	_____
_____	_____	_____

WARRANTY INFORMATION

All Kryptane Systems parts are warranted against defects in material and workmanship for one year after the date of purchase. This constitutes Kryptane Systems' only warranty in connection with this sale, and is in lieu of all other warranties, expressed or implied, written or oral. There are no implied warranties of merchantability or fitness for a particular purpose that apply to this sale.